

LPS SERIES-Solar Power

LPS12-60FT (12V63.3AH)

Specification

Nominal Voltage	12V	
Nominal Capacity(100HR)	63.3AH	
Dimension	Length	277±2mm (10.91 inches)
	Width	106±1mm (4.17 inches)
	Container Height	222±2mm (8.74 inches)
	Total Height (with Terminal)	222±2mm (8.74 inches)
Approx Weight	Approx 18.0 Kg (39.7 lbs)	
Terminal	T6	
Container Material	ABS	
Rated Capacity	63.3AH/0.633A	(100hr, 1.80V/cell, 25°C/77°F)
	57.8AH/2.89A	(20hr, 1.80V/cell, 25°C/77°F)
	55.0AH/5.50A	(10hr, 1.80V/cell, 25°C/77°F)
	48.0AH/9.60A	(5hr, 1.75V/cell, 25°C/77°F)
	33.4AH/33.4A	(1hr, 1.60V/cell, 25°C/77°F)
Max. Discharge Current	660A (5s)	
Internal Resistance	Approx 7.5mΩ	
Operating Temp. Range	Discharge	-15~50°C (5~122°F)
	Charge	0~40°C (32~104°F)
	Storage	-15~40°C (5~104°F)
Nominal Operating Temp. Range	25±3°C (77±5°F)	
Cycle Use	Initial Charging Current less than 16.5A. Voltage 14.4V~15.0V at 25°C(77°F)Temp. Coefficient -30mV/°C	
	Standby Use: No limit on Initial Charging Current Voltage 13.5V~13.8V at 25°C(77°F)Temp. Coefficient -20mV/°C	
Capacity affected by Temperature	40°C (104°F)	103%
	25°C (77°F)	100%
	0°C (32°F)	86%
Self Discharge	Leoch LPS series batteries may be stored for up to 6 months at 25°C(77°F) and then a freshening charge is required. For higher temperatures the time interval will be shorter.	



Applications

- ◆ Green energy systems (solar, wind, hydro, etc)
- ◆ Solar power stations
- ◆ Telecommunications installations
- ◆ Measurement stations
- ◆ Pump systems
- ◆ Signal station
- ◆ Survey and Mapping system
- ◆ Emergency lighting
- ◆ Railway crossing
- ◆ Traffic lights
- ◆ Street lightening
- ◆ Lawn lamp
- ◆ Street signs
- ◆ SOS pillars
- ◆ Alarm installations
- ◆ Weekend cottage camping
- ◆ Caravans
- ◆ Boats or buoys



Constant Current Discharge (Amperes) at 25 °C (77°F)

F.V/Time	15min	20min	30min	45min	1h	2h	3h	4h	5h	8h	10h	20h	48h	100h
1.85V/cell	62.6	52.0	40.4	32.0	25.9	16.9	12.7	10.4	8.81	6.15	5.27	2.80	1.26	0.619
1.80V/cell	69.4	57.2	43.6	34.0	27.3	17.9	13.4	10.9	9.25	6.46	5.50	2.89	1.28	0.633
1.75V/cell	76.9	62.6	46.9	36.3	29.4	18.8	14.2	11.4	9.60	6.65	5.62	2.95	1.30	0.639
1.70V/cell	84.1	68.4	51.5	37.9	31.1	19.8	14.9	11.9	9.99	6.90	5.80	3.01	1.32	0.647
1.65V/cell	89.0	72.2	54.2	40.3	32.1	20.5	15.4	12.3	10.3	7.08	5.92	3.08	1.34	0.657
1.60V/cell	97.6	78.4	57.6	41.7	33.4	21.3	15.9	12.7	10.7	7.27	6.06	3.15	1.36	0.663

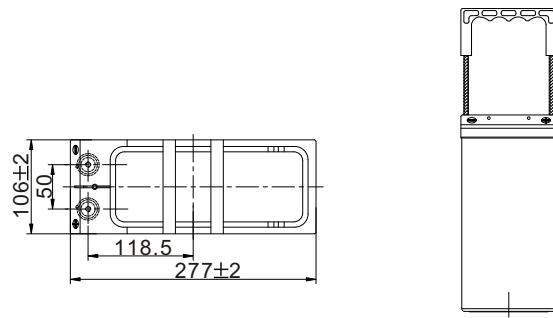
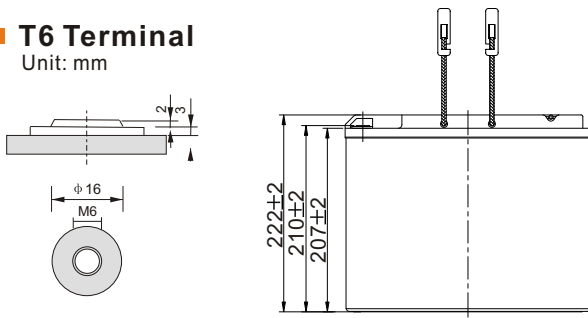
Constant Power Discharge (Watts/cell) at 25 °C (77°F)

F.V/Time	15min	20min	30min	45min	1h	2h	3h	4h	5h	8h	10h	20h	48h	100h
1.85V/cell	117.4	98.5	77.3	61.8	50.3	32.9	24.9	20.5	17.4	12.2	10.5	5.57	2.52	1.241
1.80V/cell	128.4	106.8	82.2	64.8	52.6	34.8	26.1	21.3	18.1	12.8	10.9	5.74	2.55	1.263
1.75V/cell	140.7	115.8	87.7	68.9	56.5	36.3	27.5	22.2	18.8	13.1	11.1	5.85	2.59	1.272
1.70V/cell	151.6	125.6	95.8	71.7	59.5	38.1	28.8	23.1	19.5	13.6	11.5	5.96	2.62	1.287
1.65V/cell	159.9	132.0	100.5	75.8	61.3	39.3	29.8	23.9	20.1	13.9	11.7	6.10	2.66	1.305
1.60V/cell	171.7	141.3	105.7	77.8	63.1	40.7	30.6	24.5	20.7	14.3	12.0	6.23	2.70	1.314

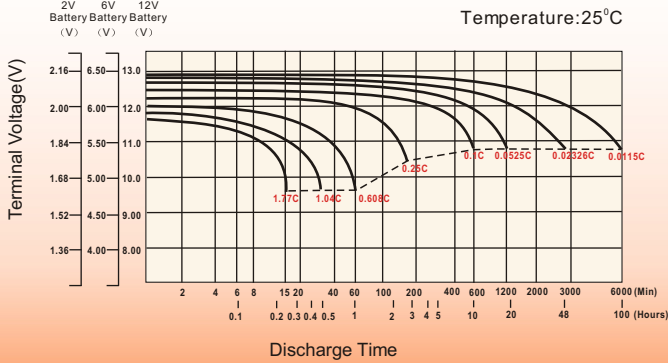
Dimensions

T6 Terminal

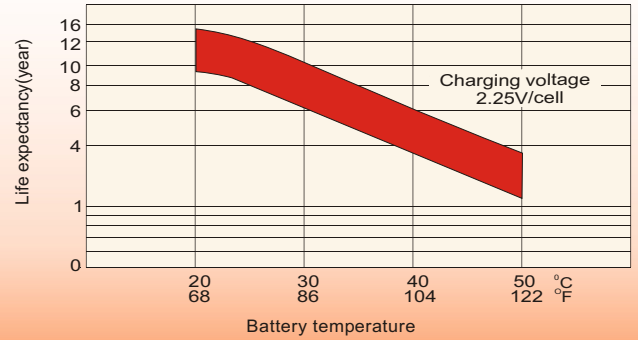
Unit: mm



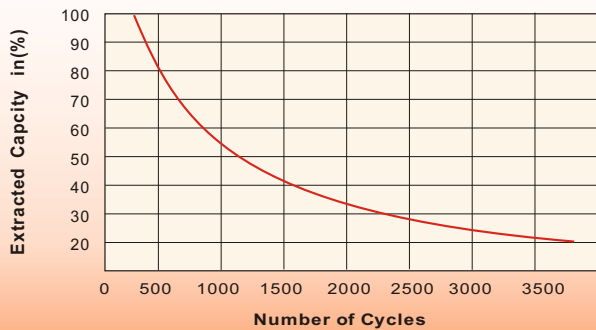
Discharge Characteristics



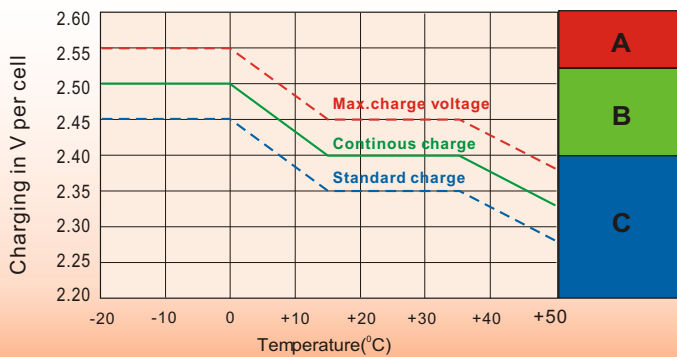
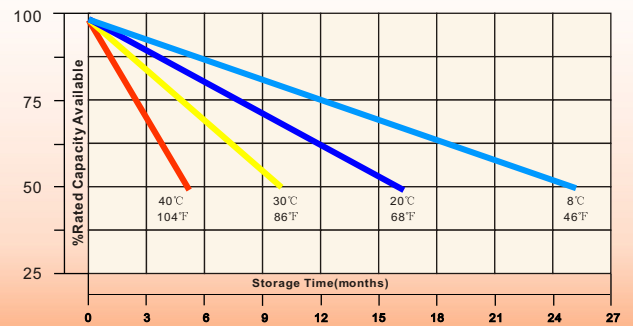
Effect of Temperature on Long Term Float Life



Cycle Service Life



Self-Discharge at Different Temperatures



Charge Mode

- A** With switch regulator (two-step controller) charge on curve max.charge voltage for max.2 hrs/day then switch over to continuous charge
- B** Standard charge without switching
- C** Boost charge (Equalizing charge with external generator) charge on curve continuous charge for max. 5 hrs/month, then switch over to curve Standard charge

Sales Office

China sales office:

Add:5th Floor,Xinbaohui Bldg.,Nanhai Blvd.,
Nanshan,Shenzhen, China. 518052
Tel:+8 6-755-86036060 (100 lines)
Fax: +86-755-26067269
E-mail:export@leoch.com
Http://www.leoch.com

North America sales office:

Add: 19751 Descartes, Unit A,
Foothill Ranch, CA 92610, USA
Tel: 949-588-5853
Fax: 949-588-5966
E-mail: sales@leoch.us
Http://www.leoch.us

Europe sales office:

Add: 9B Wheatstone Park, Waterwells
Business Park, Gloucester, GL2 2AQ. UK.
Tel: +44(0) 01452 729428
Fax: +44 (0)1452-690125
E-mail: Sales.Europe@leoch.com

Singapore sales office:

Add: No.53,Ubi Avenue 1, #03-21 Paya
Ubi Industrial Park, Singapore 408934
Tel:+ 65 6841 6629
E-mail: sales.sg@leoch.com

HongKong sales office:

Add: Unit 3910,39/F,Cable TV Tower,No.9
Hoi Shing Road,Tsuen Wan, NT.H.K
Tel: +852 3578 6666
E-mail: sales.hk@leoch.com